



UltraLite™-ALS POWER INPUT



Battery Packs - Each Battery Pack contains lithium ion batteries that can be charged over and over again and do not maintain a memory. So you can charge the battery at anytime and anywhere. Approximate charge time from completely dead to fully charged is three hours. The battery's charge life is dependent upon the output intensity that is

selected. A fully charged Battery Pack will maintain full intensity output of the most powerful head for more than an hour of continuous use. One hour of continuous work represents approximately four hours of busy crime scene work.

Battery Charger – The Double Battery Charger with a Universal AC Input Power Cord. The Battery Charger is designed to accept power from either the Universal AC Input Power Cord (included) or the DC Power Cord (optional see Battery Charger Kit). Which means that you can charge your batteries from virtually any AC power outlet from 90 volts in Japan to 240 volts in Australia to any 90-240 volt generator with the included Universal AC Input Power Cord. The Battery Charger is also designed to plug into any standard 12VDC cigarette lighter with an optional DC power Cord (see Battery Charger Kit) so you may recharge your batteries from the cigarette lighter in your vehicle. The Battery Charge has slots for two batteries. The Battery Charger will charge both batteries simultaneously. Approximate charge time from completely dead to fully charged is three hours. The UltraLite™.



ALS will operate at full power for over an hour before a loss in output intensity is noted. The battery's life is dependent upon the output intensity that is selected. The battery will maintain full intensity output of the most powerful head for more than an hour of continuous use. One hour of continuous work represents approximately four hours of busy crime scene work.

Key Features

- **Removable Battery Pack Provides the Power and Flexibility to Investigate ANYWHERE!**
- **Universal Power Module that Runs Off Virtually Any AC Voltage Around the World**
- **20' Foot Cords Allow You to Move Around with Ease**

Universal Input AC Power Module - With the Universal AC Input Power Module you may run the UltraLite™-ALS off of virtually any AC outlet from 90 volts in Japan to 240 volts in Australia or any power generator that produces 90 to 240 VAC. The Module plugs into the outlet and then plugs into a removable Power Module in the UltraLite™-ALS Handle. The cord is 20 feet long allowing you to process an entire crime scene without having to unplug the unit.

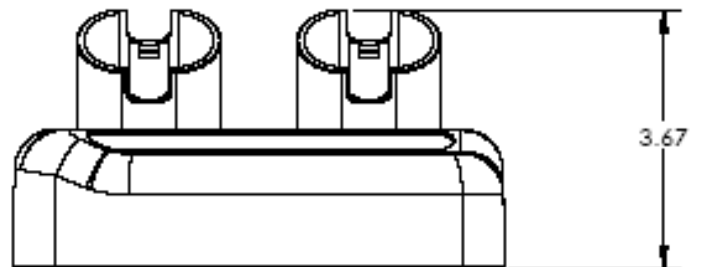
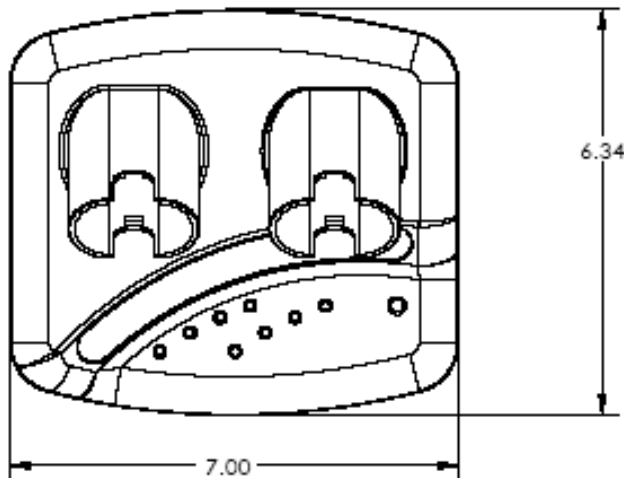
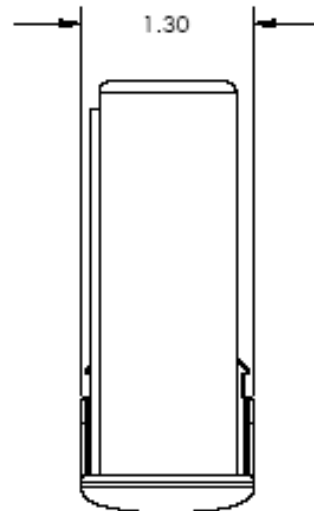
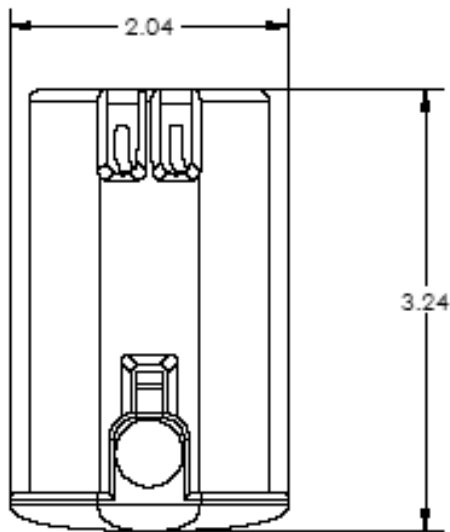


20' DC Power Cord -To operate the UltraLite™-ALS from any 12 volt DC cigarette lighter simply plug the DC Power Cord into the removable Power Module in the UltraLite™-ALS Handle and plug the other end into a standard 12 VDC cigarette lighter. The 20' foot cord allows you to process an entire vehicle without having to unplug.

PRODUCT SPECIFICATIONS

Battery Packs	Battery Charger	Universal Input AC Power Module	DC Power Cord
Maximum Height: 1.25 Inches (3.18cm) Maximum Width: 2.00 Inches (5.08cm) Maximum Length: 3.25 Inches (8.26cm)	Maximum Height: 3.70 inches (4.9 cm) Maximum Width: 7.09 inches (18.0 cm) Maximum Length: 5.39 inches (13.7 cm)	Maximum Length: 20' feet (6.096 m)	Maximum Length: 20' feet (6.096 m)
Weight: 4.18 Oz (130 grams)	Input Voltage With AC Power Supply 90-240 VAC, 50/60 Hz	AC Input: Universal; 100-140VAC, 50/60 Hz	Input Voltage: 12VDC
Output: 1-3 hrs	Output: 3 hrs to completely charge battery pack	Output: N/A	Output: N/A

MECHANICAL DRAWINGS



CAO Group, Inc.

8683 South 700 West
Sandy, UT 84070, U.S.A.
801.256.9282 (Phone)
801.256.9287 (Fax)

www.caogroup.com (web site)

sales@caogroup.com (email)